

1. General Description

- a. Plastic molded seat and back fitted to powder-coated stainless steel frame, with adjustable-height legs, cushioned arms, and removable seat and back pads
- b. Wide models with full seat
- c. Seat and arms are hinged to allow user to fold down for use or fold up for clearance

2. Item Codes and Descriptions

- a. 04140P . . . Wide seat with blue arms and pads
- b. 04240P . . . Wide seat with gray arms and pads
- c. 04175 . . . Seat replacement pad, blue
- d. 04195 . . . Back replacement pad, blue
- e. 04275 . . . Seat replacement pad, gray
- f. 04295 . . . Back replacement pad, gray

3. Physical Characteristics

- a. For detailed drawings, see next page
- b. White polyethylene molded plastic seat and back
- c. Stainless steel frame with white powder coating
- d. Closed-cell polyurethane foam seat and back pads in blue or gray
- e. Closed-cell polyurethane padded arms in blue or gray
- f. Includes plugs for seat holes (optional use if pad is removed) and pad retaining caps
- g. Legs adjust in 3/4" increments
- h. Foot on one leg includes a 1" range of fine-height adjustment
- i. Plastic feet protect floor and prevent slippage
- g. Installer must fasten mounting bracket to solid, structural blocking
- h. Mounting hardware not included; 1/4"-dia. stainless steel fasteners recommended



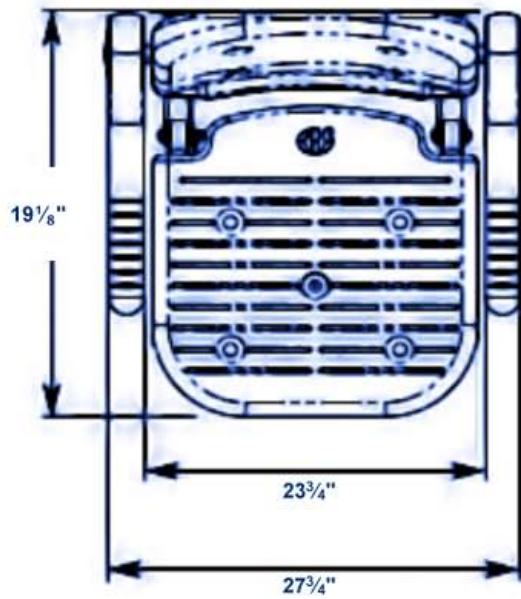
4. Performance Characteristics

- a. Nearly 10" range of height adjustment
- b. Hinged arms swing independently of the seat and each other
- c. Hinged arms and seat swing past 90° to remain in folded, upright position
- d. High contrast blue pads and arms aid the vision impaired
- e. Seat supports up to 560 lbs. when properly installed
- f. Arms support up to 122 lbs.
- g. Padded arms, seat and back pads will not absorb water
- h. No rust stainless steel frame
- i. Seat and back pads are removable
- j. Clean and disinfect all surfaces regularly

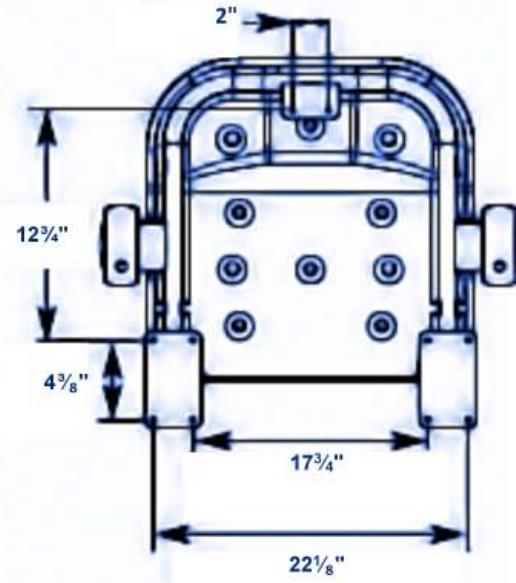
5. Other Information

- a. 5 year limited warranty when installed in commercial settings
- b. 10 year limited warranty when installed in residential settings
- c. See AKW warranty for details

Top View



Front View



Side View—
Folded

