

## Stainless Steel Faucet

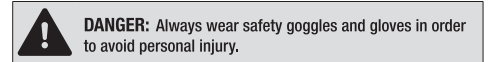
## Table of Contents

Table of Contents	2	Care and Cleaning	7
Safety Information	2	Trouble Shooting	8
Warranty	3		
Pre-Installation	4		
Planning Installation	4		
Tools and hardware required	4		
Installation	6		
Faucet Assembly/Installation	6		
Making the water supply connections	7		
Flushing and checking for leaks	7		

## Safety Information

### READ AND SAVE THESE INSTRUCTIONS

1. Inspect your unit before proceeding. Once you unpack your unit, check for chips, scratches, cracks, dents or scuff marks. If any damage is noticed, do not install.
2. Use this unit only in the manner intended by the manufacturer. If you have any questions, contact the manufacturer.
3. Installation work and plumbing must be done by qualified person(s) in accordance with all applicable codes and standards.
4. Protect the entire surface during installation.
5. All holes drilled into the unit must be done from the finished surface side with extreme care and caulked very carefully to form a watertight barrier.



## Warranty

### TRANSOLID® LIMITED LIFETIME WARRANTY

All TRANSOLID® faucet feature a LIMITED LIFETIME WARRANTY to be free of all manufacturing defects under normal use. LIMITED FAUCET WARRANTY

Transolid® will replace without charge, (excluding labor & transportation costs) any stainless steel faucet or fireclay faucet supplied by Transolid® that is proven to be defective, with an equivalent replacement, within the specific appropriate period from date of purchase, to the original owner, provided it has been used solely in residential application and installed in accordance with the Transolid® installation instructions, used and cleaned as recommended, and not damaged due to abuse, misuse, or negligence. For installed warranty concerns, please contact Transolid® directly for further information and proper documentation. In the event of a warranty claim, the owner will be required to provide proof of purchase in the form of sales receipt.

This warranty will not cover any damages which might be caused by the product. (Some states do not allow such limitation, so this reference may not apply to you.)

Transolid® reserves the right to inspect any sink reported to be defective prior to replacement of the sink. All decisions are final. Replacement cost EXCLUDES transportation and any labor costs for the removal or reinstallation.

Stainless steel is virtually carefree, but yet it can be dented, scratched and harmed by certain chemicals. Simple cleaning techniques and use of stainless grids can keep your sink looking great everyday.

Transolid® shall not be liable in case of:

- Improper installation/modification
- Damages resulting from abuse, such as heavy impact or dropped objects
- Improper care or maintenance
- Improper applications (such as exposure to corrosive chemicals, photographic solutions, etc.)
- Any modifications made to the product after it left Transolid® premises
- Commercial application
- Scratches - Due to use

#### FAUCET ACCESSORIES

Transolid® carries a 1 YEAR LIMITED WARRANTY ON ALL FAUCET ACCESSORIES to be free of all manufacturing defects under normal use. These warranties supersede all other warranties, expressed or implied.

The foregoing warranties are exclusive and made only to the buyer. No other warranty, whether express, implied, or statutory, including any warranty or merchantability or fitness for a particular purpose shall be deemed to exist in connection with any of the goods or services supplied hereunder, and any implied warranties for a period greater than the warranty period contained in Transolid®'s limited warranty are hereby excluded. Transolid® shall not be liable for any indirect, incidental, special or consequential damages in any way related to the goods or services supplied hereunder. No employee, agent, or other person is authorized to give any warranties on behalf of Transolid in addition to or different from the herein given to assume for Transolid any other liability in connection with any of its products except if in writing is signed by an officer of Transolid and expressly and intentionally gives such warranties or assumes such liability.

#### LEGAL DISCLAIMER

All technical data and information provided in this publication is done as a public service to customers of Transolid® and consumers of our products. All names, designs, and model numbers of products are trademarks of Transolid®. Prices and specifications of Transolid's products are subject to change without notice or obligation, Transolid® may also change or discontinue models of its products without notice or obligation. While Transolid® endeavors to provide you with accurate information and descriptions of its products, accuracy and completeness cannot be guaranteed. Transolid® is not responsible for, nor does it have any liability for any mistakes or typographical errors, including liability for incidental, consequential, or special damages. All products should be inspected and measured promptly upon delivery and certainly before any improvements or alterations are done in anticipation of or preparation for installation. Transolid® assumes no liability for the use of such information or for any damages incurred through its use or application.

Nothing contained in this publication is to be construed as contractual or providing any form of warranty or representation on the part of Transolid®.

**TRANSOLID® MAKES NO WARRANTIES, EXPRESS OR IMPLIED, INCLUDING BUT NOT LIMITED TO ANY WARRANTY OF MERCHANTABILITY OR OF FITNESS FOR A PARTICULAR PURPOSE, AS TO THE INFORMATION CONTAINED HEREIN OR THE PRODUCTS DESCRIBED HEREIN.**

## Pre-Installation

### PLANNING INSTALLATION

Before beginning the installation of this product, ensure all parts are present. Compare parts with the Part List. If any part is missing or damaged, do not attempt to install the product. Contact Customer Service for replacement parts.

### TOOLS AND HARDWARE REQUIRED



Wrench



Safety Goggles

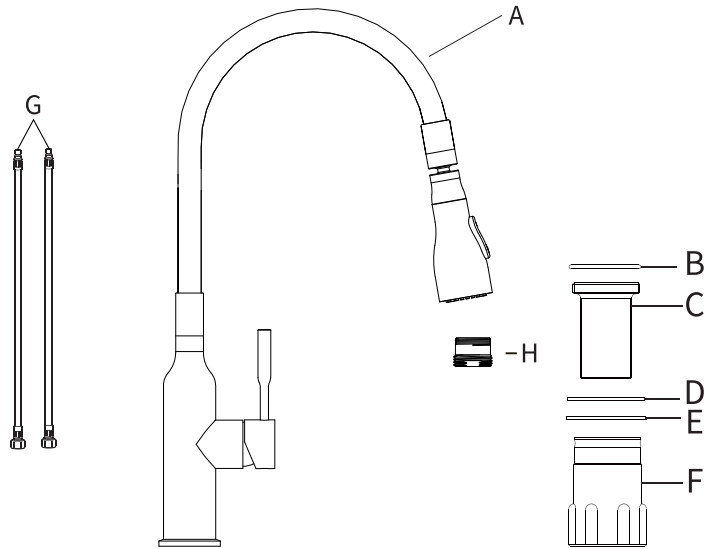


Phillips Screwdriver



Silicone Sealant

## Pre-Installation (continued)

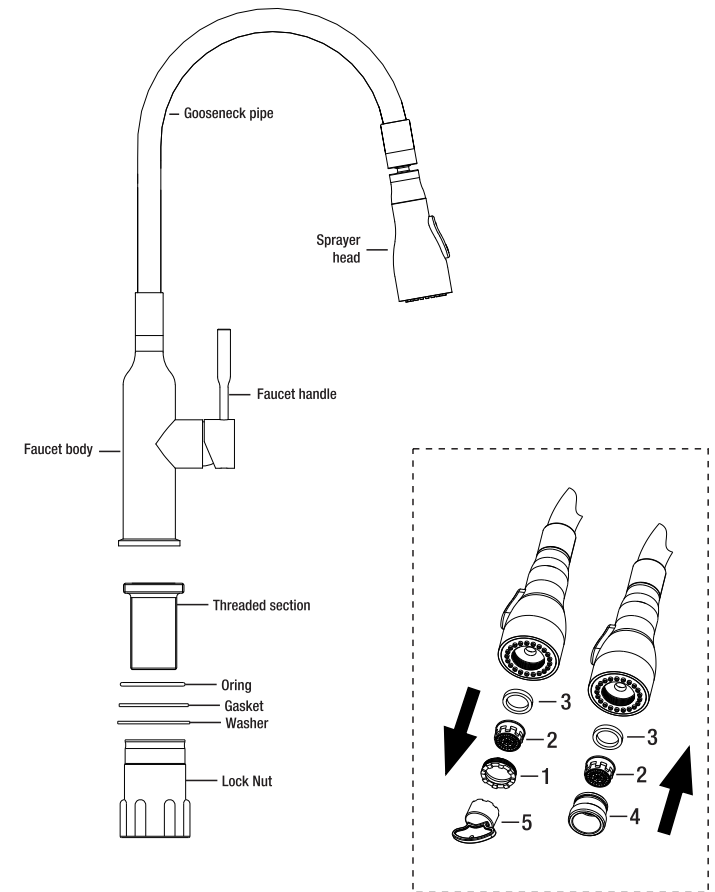


Part	Description	Quantity
A	Faucet Assembly	1
B	O-ring	1
C	Threaded Section	1
D	Gasket	1
E	Washer	1
F	Lock Nut	1
G	Supply Hose	2
H	Garden hose adapter	1

## Installation

### FAUCET ASSEMBLY/INSTALLATION

- Carefully take out all the parts of the faucet assembly (A). The faucet is pre-assembled.
- Install the threaded section onto the faucet body.
- Place the faucet body and the oring carefully through the hole in the sink. A second person may be required to hold the body in place until the faucet installation is complete.
- From underneath, install the washer, gasket and lock nut to the exposed threaded section of the faucet. Tighten the lock nut by hand until it is snug.
- If you want to connect the faucet with garden hose, remove the aerator shell (1), aerator (2) and washer (3) from spray head by the aerator wrench (5). Then reinstall the washer (3) into the spray head, and thread the connector (4) onto the spray head.



## Installation (continued)

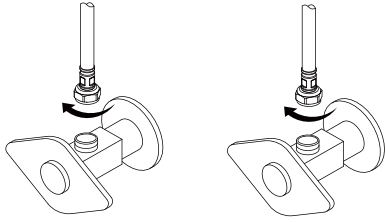
### Making the water supply connections



**CAUTION:** The hot and cold inlet tubes are indicated by their colors: red means hot and blue means cold. Avoid twisting wires together or placing the wires close to each other and damaging.

- Thread the nut on the supply hose(G) onto the outlet of the water supply valve and tighten with a wrench.

Do not overtighten.



### Flushing and checking for leaks



**CAUTION:** After installation is completed, turn on the hot and cold water supplies. Check for leaks.

- Turn on the water supply and the faucet handle. Flush the water for one minute. This flushes away any debris that could cause damage to internal parts.
- Check all connections part for leaks. Re-tighten any connections if necessary, but do not overtighten.

## Care and Cleaning

- To clean, wipe down with a damp cloth and dry with a towel.
- Do not use abrasive cleaners, steel wool, or harsh chemicals when cleaning this faucet, or the warranty will be voided.

## Trouble Shooting

Problem	Possible Cause	Possible Cause
There are leaks underneath the handle.	The screw nut has come loose and the o-ring on the cartridge is dirty or damaged.	<input type="checkbox"/> Tighten the screw nut. Clean or replace the cartridge or o-ring.
The aerator leaks or has an inconsistent water flow pattern.	The aerator is dirty or misfitted. The cartridge may be clogged.	<input type="checkbox"/> Remove the aerator and check for debris in the aerator screens. <input type="checkbox"/> Remove the cartridge and check for debris. <input type="checkbox"/> Ensure the aerator is properly installed.
There are leaks from the hose underneath the deck.	The supply hose and outlet hose connection may be loose.	<input type="checkbox"/> Tighten the connection of the hoses.
The water pressure is low.	The connector underneath the deck is clogged with debris. The aerator is clogged.	<input type="checkbox"/> Turn off the water supply and disconnect the connector / aerator. <input type="checkbox"/> Unscrew the connector / aerator and clean under running water. <input type="checkbox"/> Screw the connector / aerator back. <input type="checkbox"/> Test water flow. If water pressure is still low then replace the connector / aerator.
There is no hot or cold water.	The water supply hose was accidentally kinked during installation and is limiting the water flow through.	<input type="checkbox"/> Reinstall the water supply hose.