

FEATURES

- 58-1/4" x 28-3/4" x 22-1/4" freestanding bathtub.
- Transolid® resin stone is a composite of modified acrylic and natural stone.
- Center drain location. Spring-loaded chrome finish bottom drain included.
- Built-in overflow.
- 10 Year Limited Residential Warranty
- 3 Year Commercial Warranty

COLOR

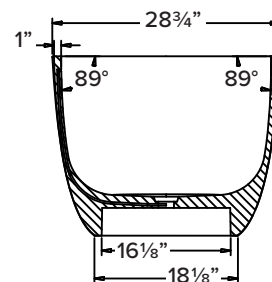
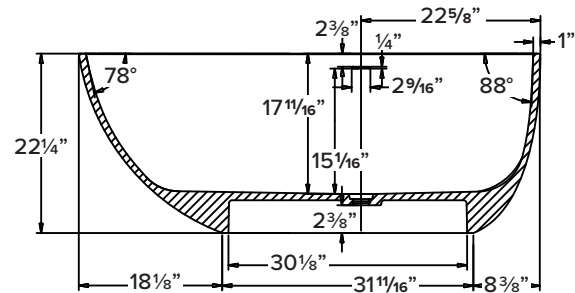
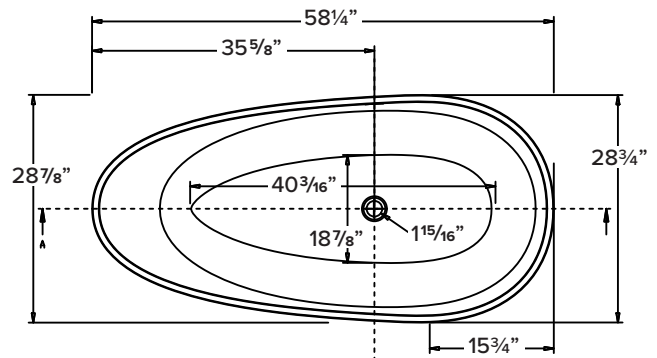
- 01 White

FINISH

- (V) Velvet

OPTION


- TD10 Bathtub drain with overflow in decorative finishes: BN, PC, PN, ORB, VB, MB, WH finishes. See back for information.



Specified Model

Model	SML5829
Dimensions	58 1/4"L x 28 3/4"W x 22 1/4"H
Drain Outlet	Center
Water Capacity	74 gallons
Item Cubic Feet	21.65
Item Weight	288.86 lbs.
Shipping Weight	410.13 lbs.
Material	Resin Stone
Installation	freestanding, floor mounted
Required	floor or wall mount faucet not supplied

To Be Specified:

COLOR	
01 White	
FINISH	01 White
V Velvet	
DRAIN COVER	
C Chrome	

Compliance Certifications - Meets or Exceeds the Following Specifications:



- CSA B45.5/IAPMO Z124

OPTION

TD10 Bathtub Drain in decorative finishes

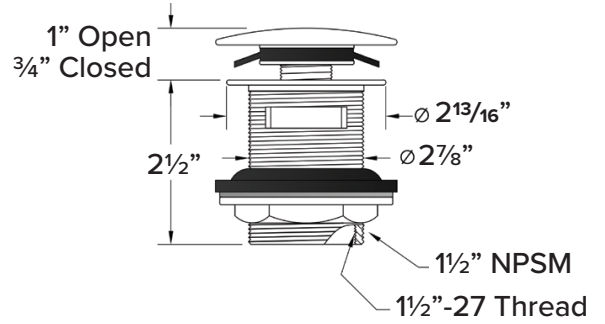
SPECIFICATIONS

EZ-Click Bathtub Drain with overflow. Drain tube not included.

Finishes: BN Brushed Nickel, PC Polished Chrome, PN Polished Nickel, ORB Oil Rubbed Bronze, VB Venetian Bronze, MB Matte Black, WH White



PC



To Be Specified:

	COLOR
<input type="checkbox"/>	BN Brushed Nickel
<input type="checkbox"/>	PN Polished Nickel
<input type="checkbox"/>	ORB Oil Rubbed Bronze
<input type="checkbox"/>	VB Venetian Bronze
<input type="checkbox"/>	MB Matte Black
<input type="checkbox"/>	WH White
<input type="checkbox"/>	PC Polished Chrome

