

FEATURES

- 67-1/4" x 28-15/16" x 34-1/16" / 28-9/16" freestanding bathtub.
- Transolid® resin stone is a composite of modified acrylic and natural stone.
- End drain location. Spring-loaded chrome finish bottom drain included.
- Built-in overflow.
- 10 Year Limited Residential Warranty
- 3 Year Commercial Warranty

COLOR

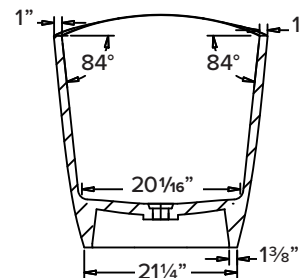
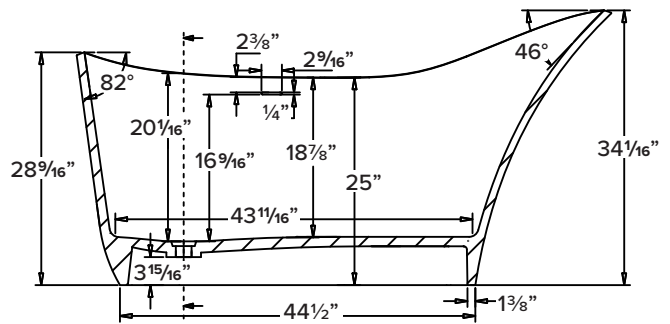
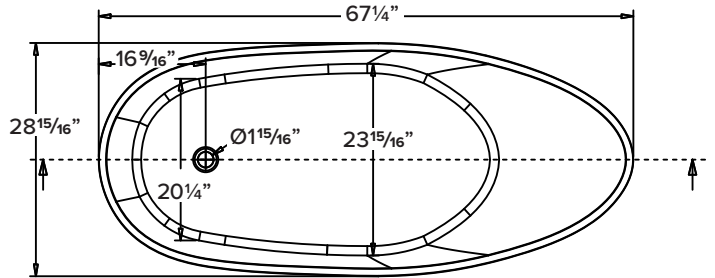
- 01 White

FINISH

- (V) Velvet

OPTION


- TD10 Bathtub drain with overflow in decorative finishes: BN, PC, PN, ORB, VB, MB, WH finishes. See back for information.



Specified Model

Model	SVL6729
Dimensions	67 1/4"L x 28 15/16"W x 34 1/16" / 28-9/16"H
Drain Outlet	End
Water Capacity	63.9 gallons
Item Cubic Feet	38.40
Item Weight	407.93 lbs.
Shipping Weight	529.20 lbs.
Material	Resin Stone
Installation	freestanding, floor mounted
Required	floor or wall mount faucet not supplied

To Be Specified:

COLOR	
01 White	
FINISH	01 White
V Velvet	
DRAIN COVER	
C Chrome	

**Compliance Certifications -
Meets or Exceeds the Following Specifications:**



- CSA B45.5/IAPMO Z124

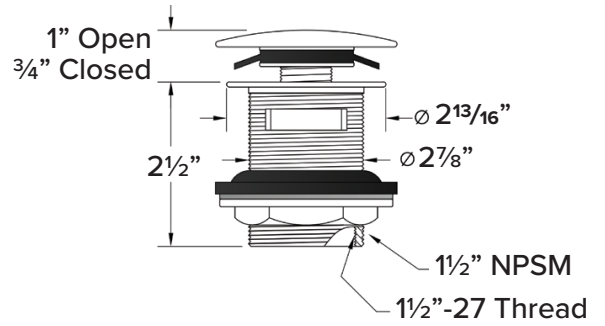
OPTION

TD10 Bathtub Drain in decorative finishes

SPECIFICATIONS

EZ-Click Bathtub Drain with overflow. Drain tube not included.

Finishes: BN Brushed Nickel, PC Polished Chrome, PN Polished Nickel, ORB Oil Rubbed Bronze, VB Venetian Bronze, MB Matte Black, WH White



To Be Specified:

	COLOR
<input type="checkbox"/>	BN Brushed Nickel
<input type="checkbox"/>	PN Polished Nickel
<input type="checkbox"/>	ORB Oil Rubbed Bronze
<input type="checkbox"/>	VB Venetian Bronze
<input type="checkbox"/>	MB Matte Black
<input type="checkbox"/>	WH White
<input type="checkbox"/>	PC Polished Chrome

