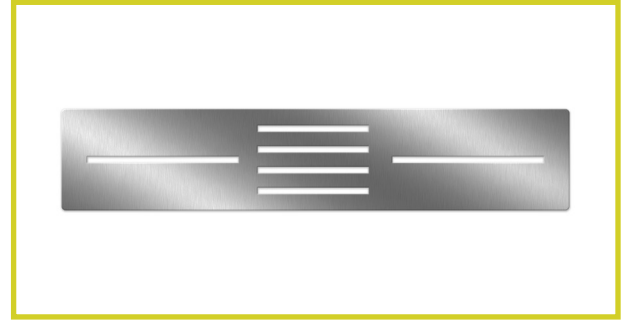


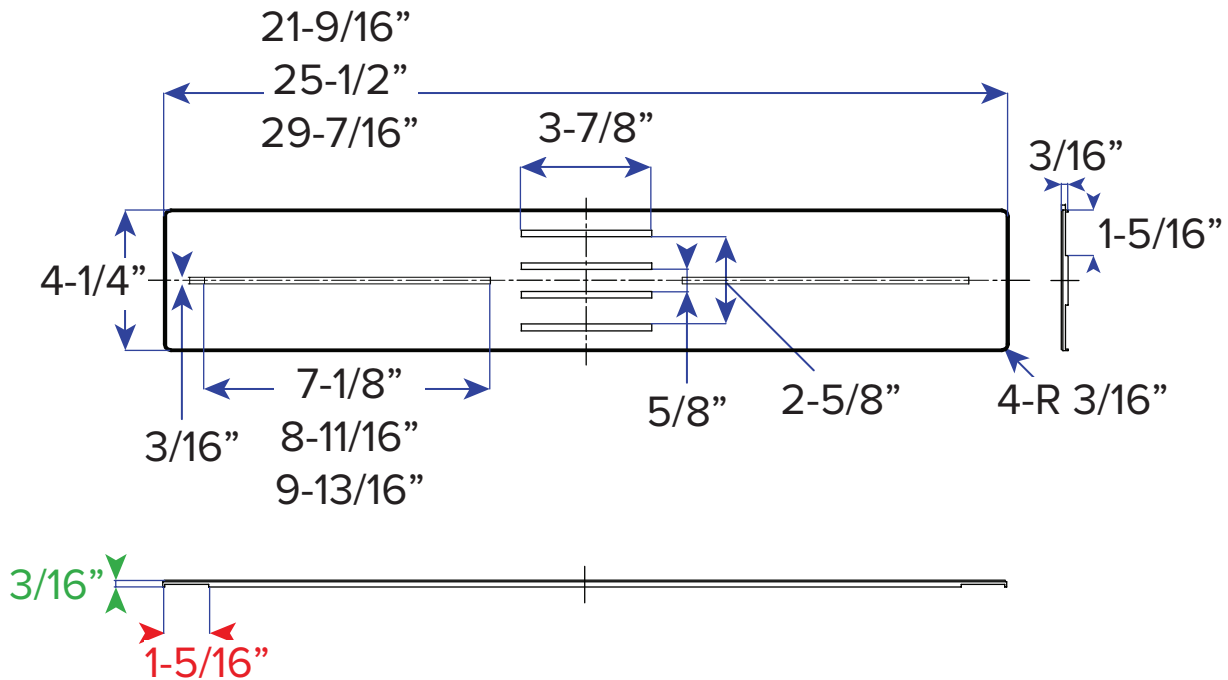
FEATURES

- Slotted rectangular stainless steel drain cover
- For use with 32", 36", 42" and 48" width center drain FZS models
- Comes in stainless steel color or power-coated colors to match or compliment Trimslate bases
- 548 covers are for use with FZS48__C models
- 648 covers are for use with FZS60__C and FZS63__C models
- 748 covers are for use with FZS66__C, FZS67__C, and FZS72__C models



Specified Models:

	Model No.	Description	Length	Width	Height	Weight (lbs)
<input type="checkbox"/>	FZSCVRC__B-548	21-9/16" FZS Drain Cover	21-9/16"	4-1/4"	3/16"	3
<input type="checkbox"/>	FZSCVRC__B-648	25-1/2" FZS Drain Cover	25-1/2"	4-1/4"	3/16"	3
<input type="checkbox"/>	FZSCVRC__B-748	29-7/16" FZS Drain Cover	29-7/16"	4-1/4"	3/16"	3



DRAIN COVERS

<input type="checkbox"/>	Stainless Steel SS
<input type="checkbox"/>	White 31
<input type="checkbox"/>	Cameo 32
<input type="checkbox"/>	Grey 39
<input type="checkbox"/>	Black 09

