

**Features**

- Covered Flip-Top Sink Strainer.
- Keeps sink looking beautiful with it's clean design.
- Water drains easily when cover is in place.
- Cover flips up with easy touch to expose standard basket strainer.
- Food waste stays beneath the cover, out of sight until thrown away.
- Fits standard 3½" (89mm) drain opening
- Stainless steel strainer cover available in (PS) polished stainless or (BS) brushed stainless finish.
- Polypropylene drain housing.

**Warranty**

- 1 Year Limited Warranty



**Specified Model**

Model	<b>2210R</b>
Overall Dimensions	L4 <sup>10</sup> / <sub>16</sub> " x W4 <sup>10</sup> / <sub>16</sub> " x H2 <sup>1</sup> / <sub>2</sub> " 118 x 118 x 64
Drain opening	3½" (89mm)
Shipping Weight	2 lbs.
Carton Quantity	20
Material	
Cover	Stainless steel
Drain Housing	Polypropylene
Installation	in sink drain opening



**To Be Specified:**

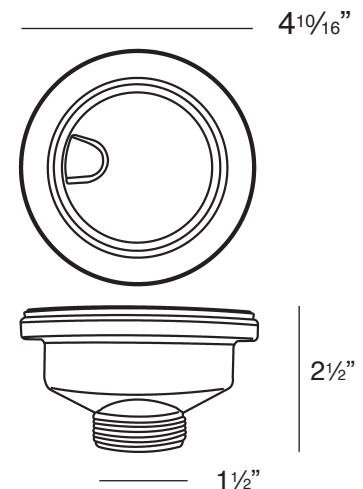
	Finish
<input type="checkbox"/>	<b>PS</b> Polished Stainless
<input type="checkbox"/>	<b>BS</b> Brushed Stainless

**Stainless Finishes**



Polished  
Stainless **PS**

Brushed  
Stainless **BS**



**Notes**

Install this product according to the installation instructions.