

Features

- 32⁴³/₆₄" (832) x 19⁴⁵/₆₄" (500) x 9²⁹/₃₂" (252) kitchen sink.
- Sink is glazed on all four exterior sides. Suitable for undermount, flush mount, built-up, or above counter installation.
- Double equal compartments.
- Farmhouse style with a wrap around 9²⁹/₃₂" (252) high apron front.
- Front panel is reversible. Fluted pattern on one side, plain front (no pattern) on other side.
- Made of highest grade fireclay, which is clay heated to an extremely high 1600° making the sink hard and durable, with a beautiful high shine.
- Durability of fireclay means it is resistant to scratches and chips and is easy to clean.
- Extra deep bowls means more room for big pots.
- Fits 36" (914) minimum base cabinet width.

Components

Product includes:
Installation Instructions

Options

- 2210R Covered Sink Strainer
- 4010 Covered Disposer Strainer

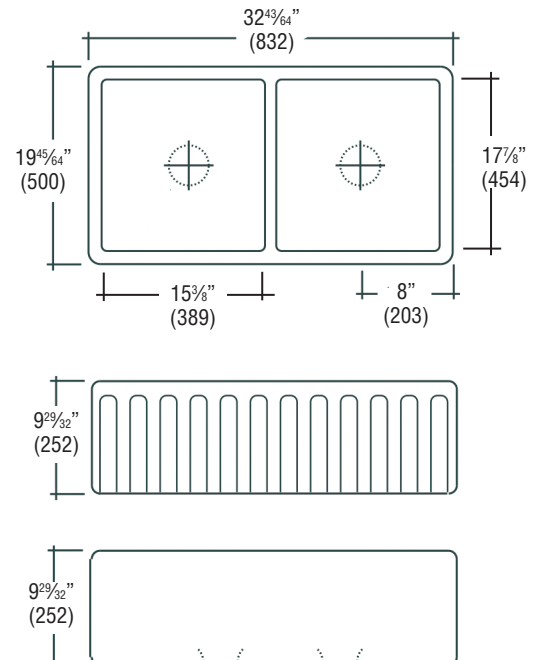
Warranty

- Lifetime Limited Warranty



Specified Model

Model	FUDF332010
Overall Dimensions	L32 ⁴³ / ₆₄ " x W19 ⁴⁵ / ₆₄ " x D9 ²⁹ / ₃₂ " 832 x 500 x 252
Bowl Dimensions (Left)	L15 ³ / ₈ " x W17 ⁷ / ₈ " x D9 ¹ / ₂ " 391 x 454 x 241
Bowl Dimensions (Right)	L15 ³ / ₈ " x W17 ⁷ / ₈ " x D9 ¹ / ₂ " 391 x 454 x 241
Drain holes:	3 ⁵ / ₈ " (92mm)
Shipping Weight	100.3 lbs. 45.5 kg.
Material	Fireclay
Color	White
Installation	under counter mounted
Required	template, included



Codes/Standards

ASME A112.19.3/CSA B45.4

Notes

Install this product according to the installation instructions.