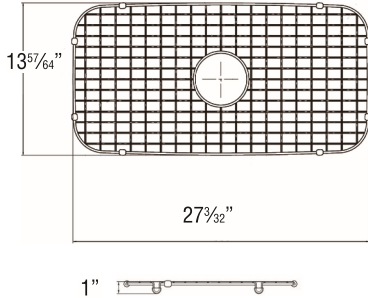
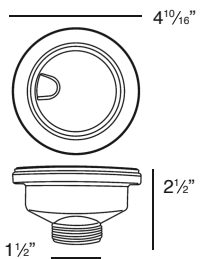


Optional Accessories

TSGM32181 Bottom Sink Grid

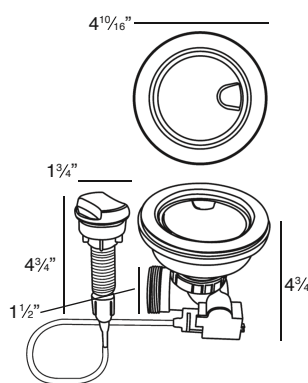


2210R Covered Flip Top Sink Strainer.



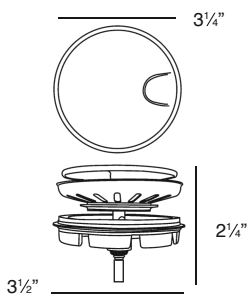
Water drains easily when cover is in place. Cover flips up with easy touch. Cover makes a flat surface at the sink bottom that prevents food waste from getting into the strainer basket for easy sink clean up. Polypropylene housing. Fits standard 3½" opening.

2310 Remote Covered Flip Top Sink Strainer.



Turn the remote knob to open and close drain. Water drains easily when cover is in place. Cover flips up with easy touch. Cover makes a flat surface at the sink bottom that prevents food waste from getting into the strainer basket for easy sink clean up. Polypropylene housing. Fits standard 3½" opening. 1⅝" hole required in countertop for remote installation. Remote cable 25½" L.

4010 Covered Flip Top Disposer Strainer.



Water drains easily when cover is in place. Cover flips up with easy touch. Polypropylene housing. Top mount installation for 3½" opening.