

Features

- 35½" (902) x 22" (559) x 11" (279) undermount kitchen sink.
- Super single compartment that is the size of a double bowl sink.
- Farmhouse style with a wrap around 8¹³/₁₆" (224) high curved apron front.
- Handcrafted from 14 gauge 304 stainless steel. Channel grooves in sink bottom direct water to drain. Premium brushed finish.
- Beveled ledge around the top edge of the sink. The ledge allows cutting board, colander and other accessories to easily glide across the length of the sink.
- Accessory Pocket in apron front is hidden from view and makes great storage for sponges, brushes and other kitchen tools used daily.
- Includes a stainless steel bottom sink grid and stainless covered flip-top sink strainer.
- Tight 5mm radius corners.
- Superior 7mm sound deadening pads.
- Fits 39" (991) minimum base cabinet width.

Components

- Product includes:
- TSGP36221 Bottom Sink Grid
 - 2210R Covered Sink Strainer
 - Cutout Template
 - Installation Hardware
 - Installation Instructions

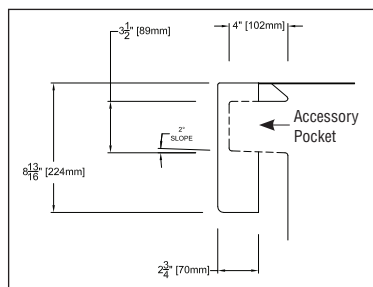
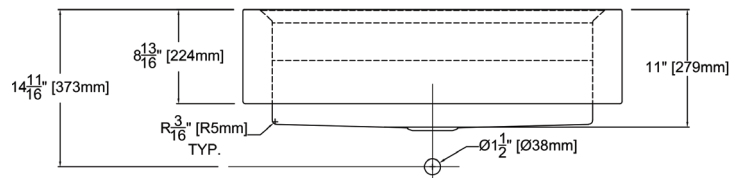
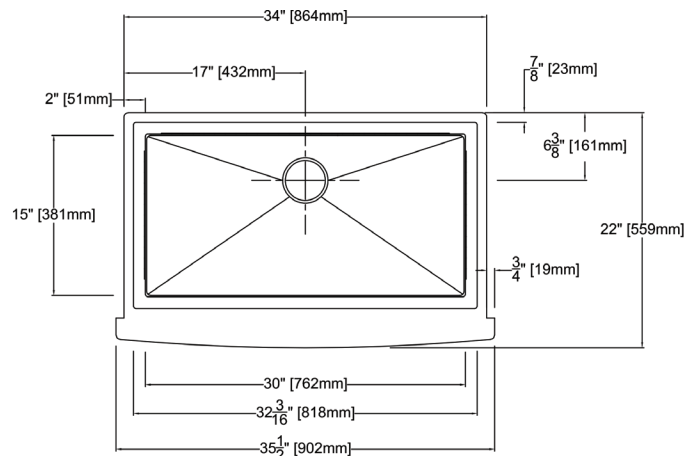
Warranty

- Lifetime Limited Warranty

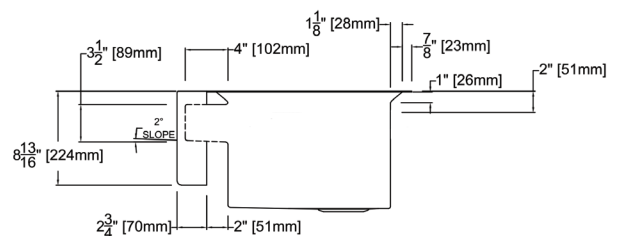


Specified Model

Model	PUSSF362211
Overall Dimensions	L35½" x W22" x D11" 902 x 559 x 279
Bowl Dimensions	L30" x W15" x D11" 762 x 381 x 279
Drain hole:	3 ⁵ / ₈ " (92mm)
Shipping Weight	64 lbs.
Material	14 gauge 304 stainless steel
Installation	under counter mounted
Required	template, included



Accessory Pocket Detail



Codes/Standards

ASME A112.19.3/CSA B45.4

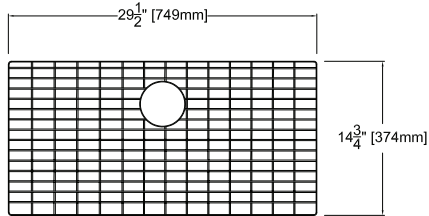
Notes

Install this product according to the installation instructions.

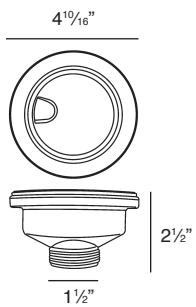
Components

Product includes:

TSGP36221 Bottom Sink Grid



2210R Covered Flip Top Sink Strainer.



Water drains easily when cover is in place. Cover flips up with easy touch. Polypropylene housing. Fits standard 3½" opening.

Optional 2310 Remote Covered Flip Top Sink Strainer is available.

Optional 4010 Covered Flip Top Disposer Strainer is available.

See Accessories to order.