



FEATURES

- Aluminum and ABS fold-up anti-bacterial shower seat.
- Surface mounted metal wall brackets and metal seat support.
- Seat holds up to 400 lbs. capacity.
- A fold-up seat offers a comfortable seating area when required, and tucks back against the wall when not in use.
- ADA complaint when installed according to ANSI A117.1 requirements.

COLORS

- 01 White
- 09 Black

WARRANTY

- Lifetime Limited Residential / 5 Year Commercial



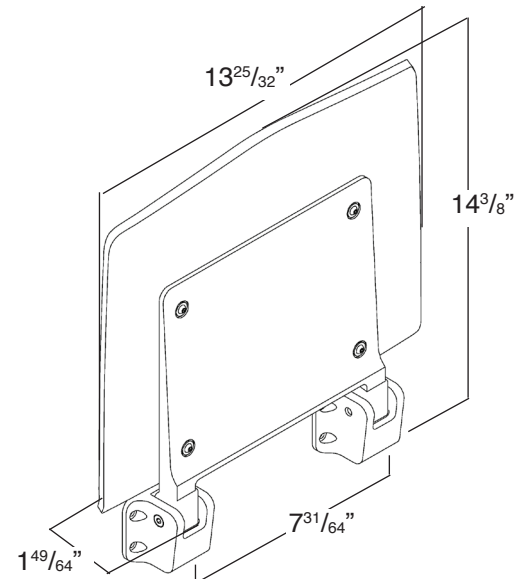
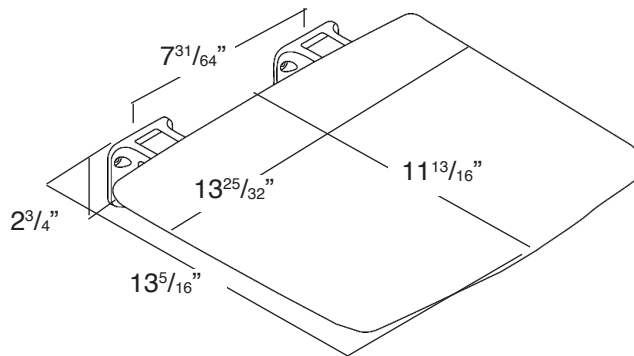
To Be Specified:

	MODEL NO.	DESCRIPTION	Length	Height	Depth
<input type="checkbox"/>	TFSS1313-	Fold-up Shower Seat	8 ¹⁷ / ₆₄ "	1 ⁵⁹ / ₆₄ "	4 ²³ / ₃₂ "

TO ORDER add the color code to end of model number

To Be Specified: Color

	Code	Color
<input type="checkbox"/>	01	White
<input type="checkbox"/>	01	Black



BATH ACCESSORIES

Compliance Certifications - Meets or Exceeds the Following Specifications



Meets the Americans with Disabilities Act guidelines and ANSI A117.1 requirements for accessible and usable building facilities-check local codes when installed per accessibility guidelines of the act.