

**FEATURES**

- Rectangular vessel bathroom sink for above counter installation.
- No faucet hole drillings.
- Vitreous china.
- Concealed drain with vitreous china drain cover.
- Designed for use with vessel or wall-mount faucets (not included).
- 5 Year Limited Residential Warranty / 1 Year Commercial Warranty

**COLOR**

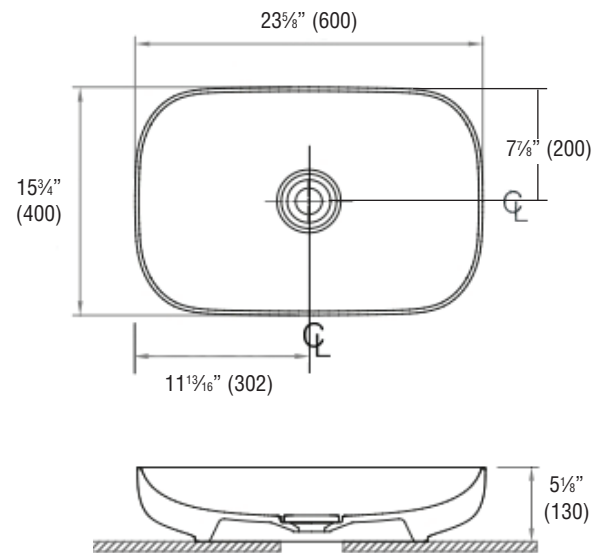
- White



**TOILETS/LAVS**

**Specified Model**

	MODEL NO.	DESCRIPTION	Length	Width	Height
<b>ABOVE COUNTER LAVATORY</b>					
<input type="checkbox"/>	TL-1640	Lavatory Vessel Bowl	23 <sup>5</sup> / <sub>8</sub> "	15 <sup>3</sup> / <sub>4</sub> "	5 <sup>1</sup> / <sub>8</sub> "



**Compliance Certifications -  
Meets or Exceeds the Following Specifications**

- ASME A112.19.2M-1998
- Canadian Uniform Plumbing Code 2002
- UPC®

These measurements are subject to change or cancellation. No responsibility is assumed for use of superceded or voided pages.